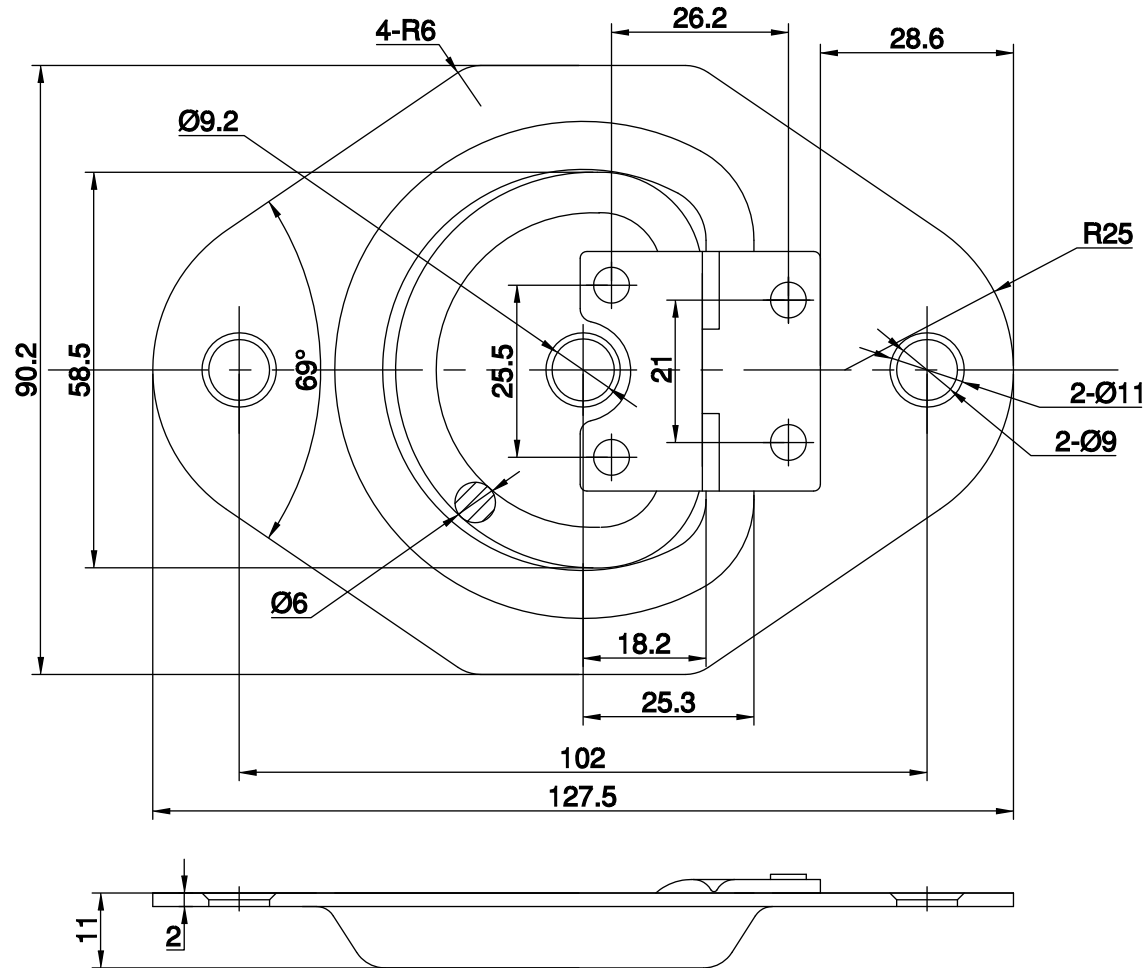


# TECHNICAL DRAWING / DESSIN TECHNIQUE



**JIMEXS**  
**HARDWARE**

1 866 447-5656 / INFO@JIMEXS.COM

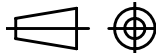
WWW.JIMEXS-HARDWARE.COM

410-101

Anneau à câbler, Montage encastré  
 D-Ring Tie-down, Recessed mounting

2022-01-27

PROJECTIONS



DIMENSIONS

5" x 3-1/2", holes / trous 9/32"

MATERIAL / MATÉRIEL

Acier plaqué zinc / Steel zinc plated

SPECS

BS : 1200 lb