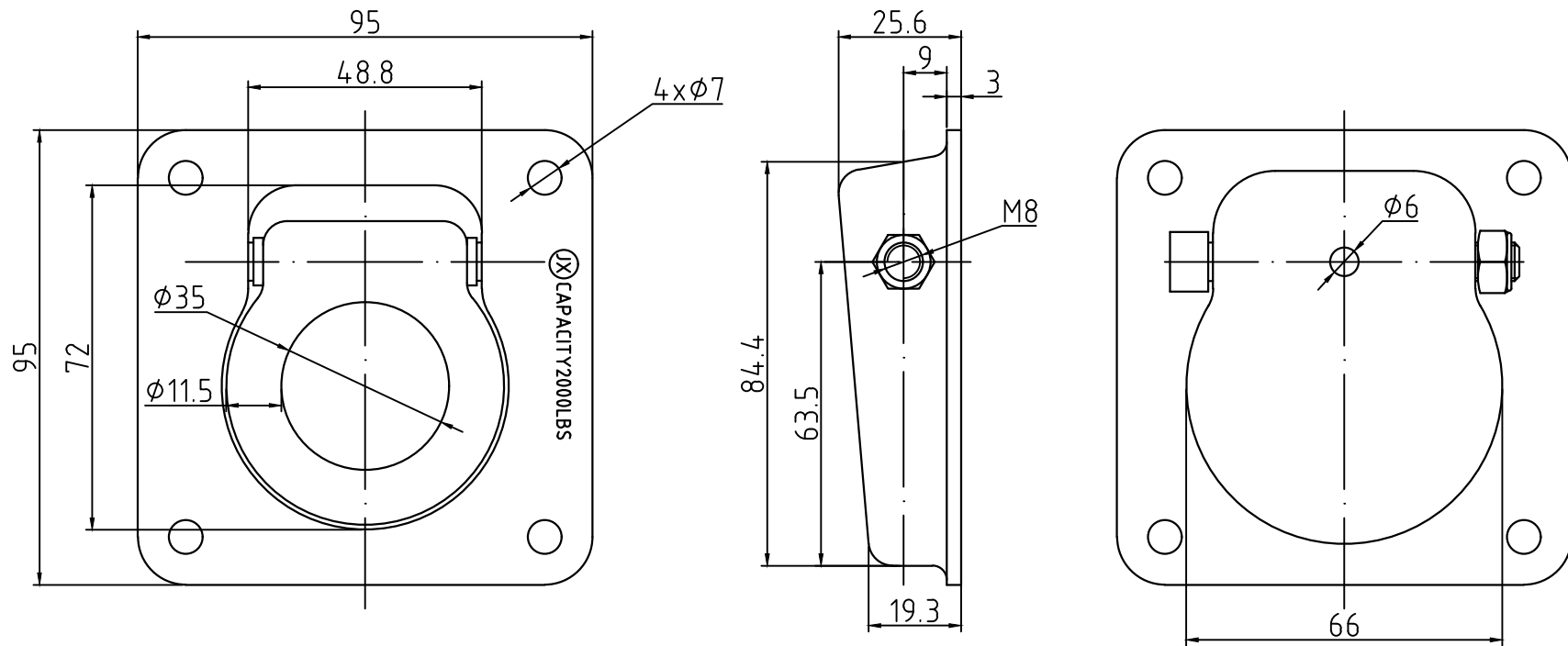


# TECHNICAL DRAWING / DESSIN TECHNIQUE



**JIMEXS**  
**HARDWARE**

1 866 447-5656 / INFO@JIMEXS.COM

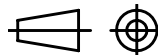
WWW.JIMEXS-HARDWARE.COM

410-111

Anneau à câbler, Montage encastré  
 D-Ring Tie-down, Recessed mounting

2022-05-27

PROJECTIONS



**DIMENSIONS**

95mm x 95mm, holes / trous 7mm

**MATERIAL / MATÉRIEL**

Acier plaqué zinc / Steel zinc plated

**SPECS**

BS : 1200 lb