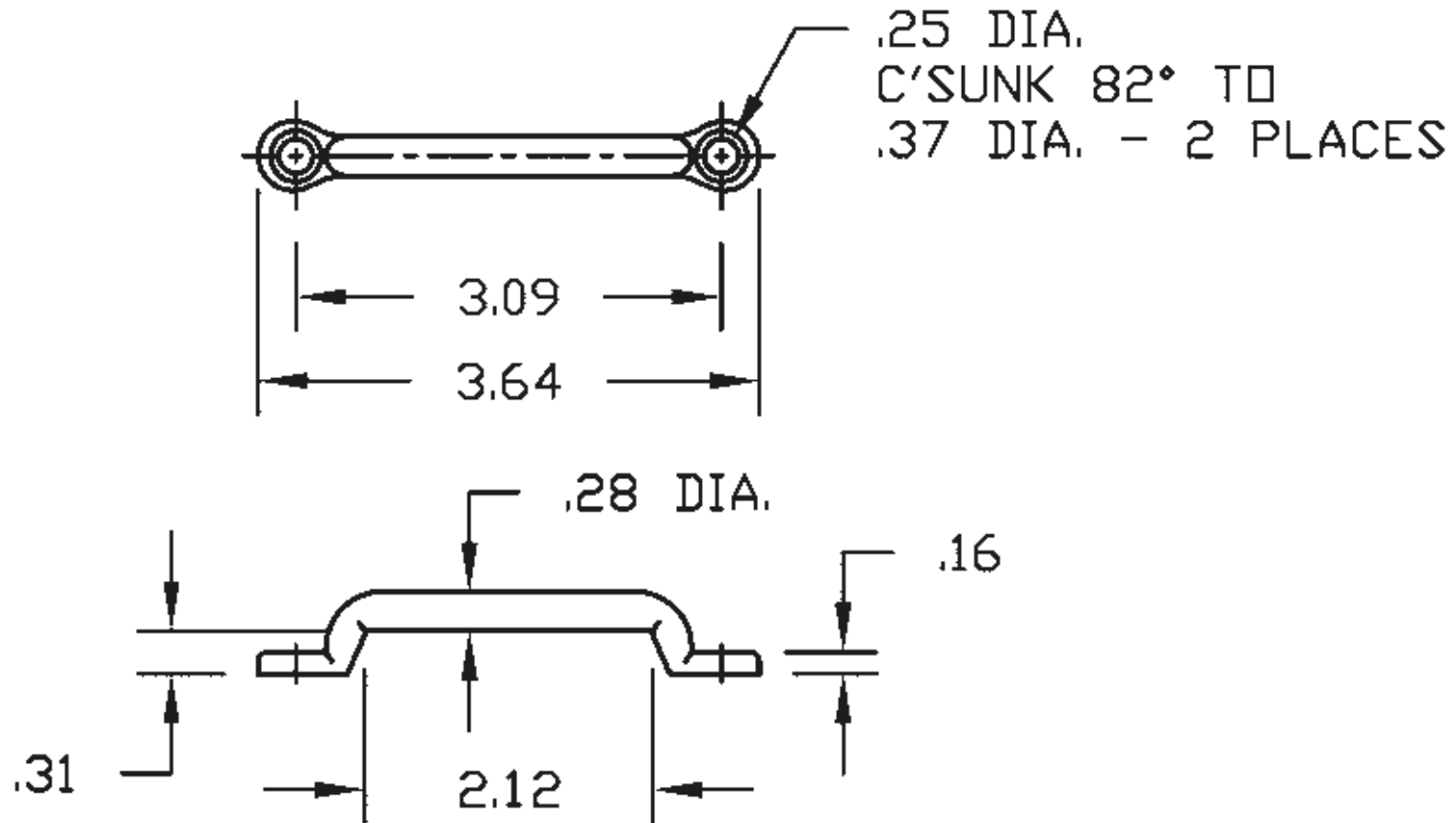


TECHNICAL DRAWING / DESSIN TECHNIQUE



JIMEXS
HARDWARE

1 866 447-5656 / INFO@JIMEXS.COM

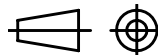
WWW.JIMEXS-HARDWARE.COM

410-407

Crampon
Footman loop

2022-01-27

PROJECTIONS



DIMENSIONS 3.64" (3,09" CC) trous/holes 0.25"

MATERIAL / MATÉRIEL Acier plaqué zinc / Steel zinc plated