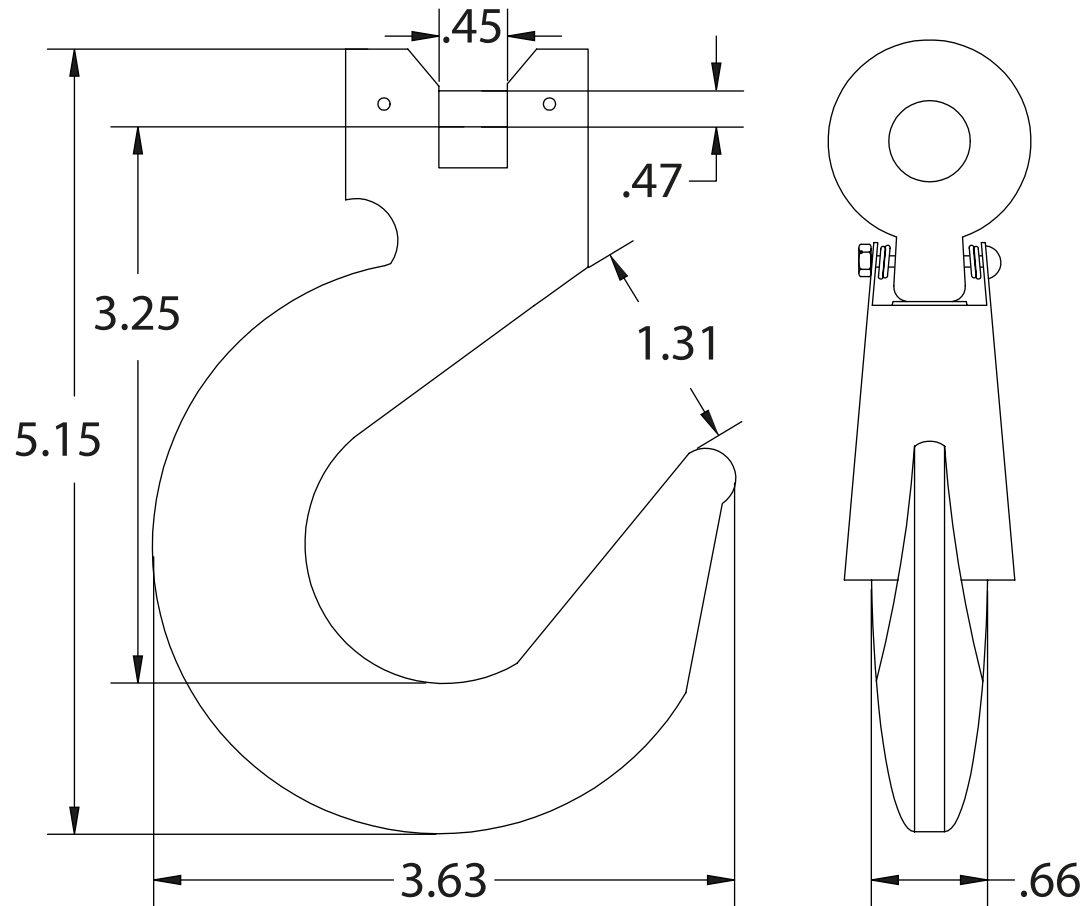


# TECHNICAL DRAWING / DESSIN TECHNIQUE



**JIMEXS**  
**HARDWARE**

1 866 447-5656 / INFO@JIMEXS.COM

WWW.JIMEXS-HARDWARE.COM

413-215

Crochet coulissant à manille G70  
 Clevis slip hook G70

2022-01-28

PROJECTIONS



DIMENSIONS

MATERIAL / MATÉRIEL

SPECS

3/8"

Acier forgé plaqué zinc or /

Gold zinc plated forged steel

WLL: 5230 lb, BS: 15690 lb