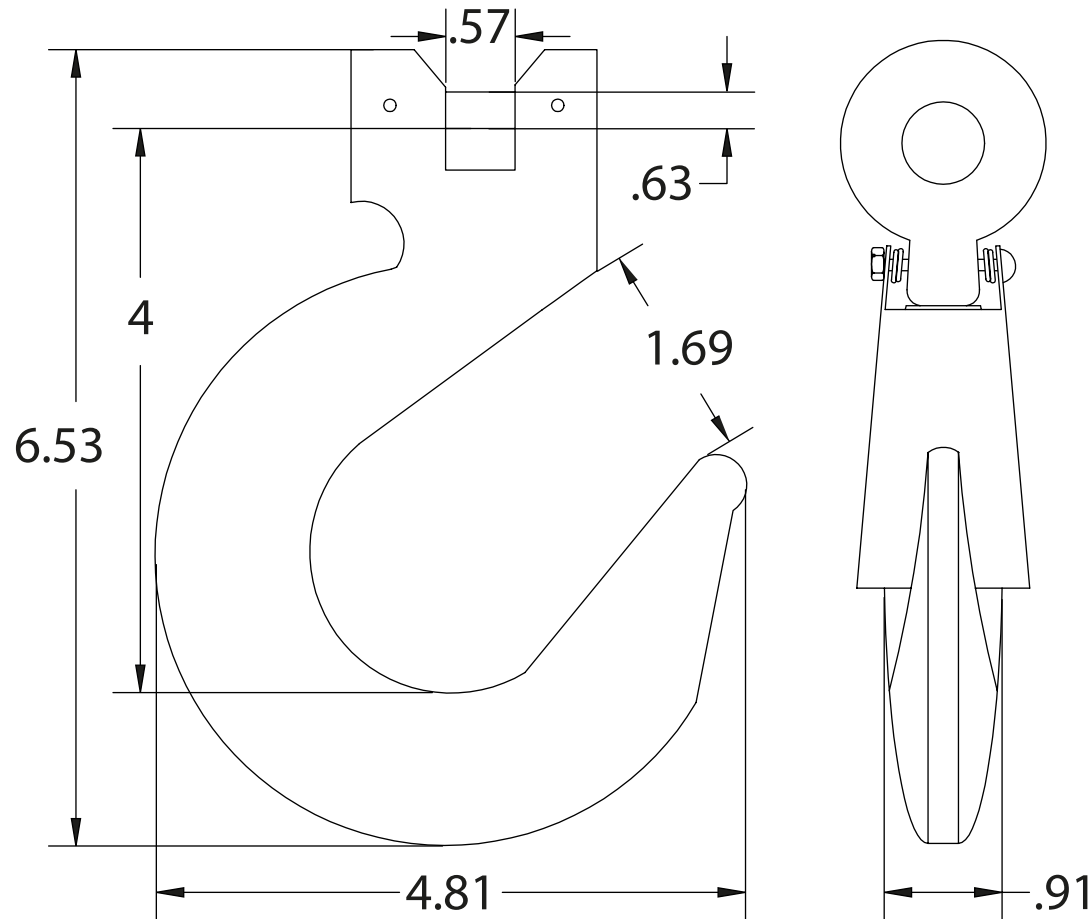


TECHNICAL DRAWING / DESSIN TECHNIQUE



JIMEXS
HARDWARE

1 866 447-5656 / INFO@JIMEXS.COM

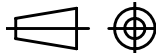
WWW.JIMEXS-HARDWARE.COM

413-219

Crochet coulissant à manille G70
 Clevis slip hook G70

2022-01-28

PROJECTIONS



DIMENSIONS

MATERIAL / MATÉRIEL

SPECS

1/2"

Acier forgé plaqué zinc or /

Gold zinc plated forged steel

WLL: 8975 lb, BS: 26920 lb