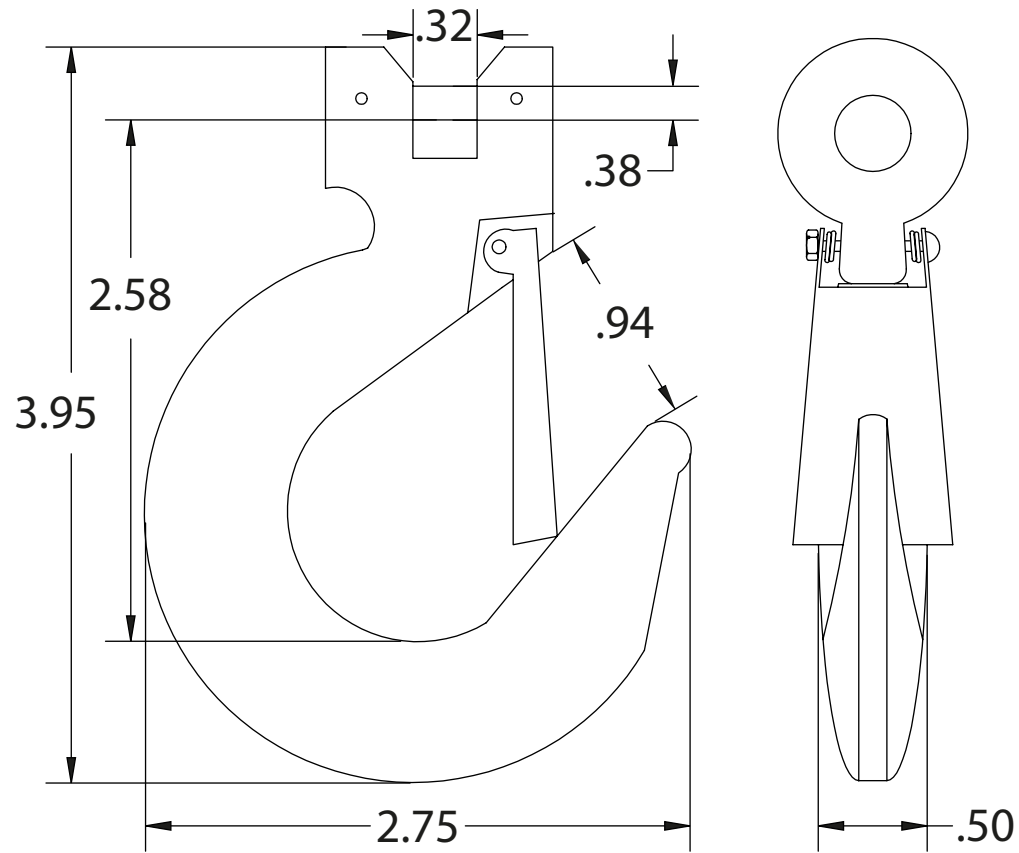


TECHNICAL DRAWING / DESSIN TECHNIQUE



JIMEXS
HARDWARE

1 866 447-5656 / INFO@JIMEXS.COM

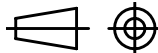
WWW.JIMEXS-HARDWARE.COM

413-223

Crochet coulissant à manille
avec loquet G70
Clevis slip hook with latch G70

2022-01-28

PROJECTIONS



DIMENSIONS

5/16"

MATERIAL / MATÉRIEL

Acier forgé plaqué zinc or /
Gold zinc plated forged steel

SPECS

WLL: 4290 lb, BS: 18800 lb