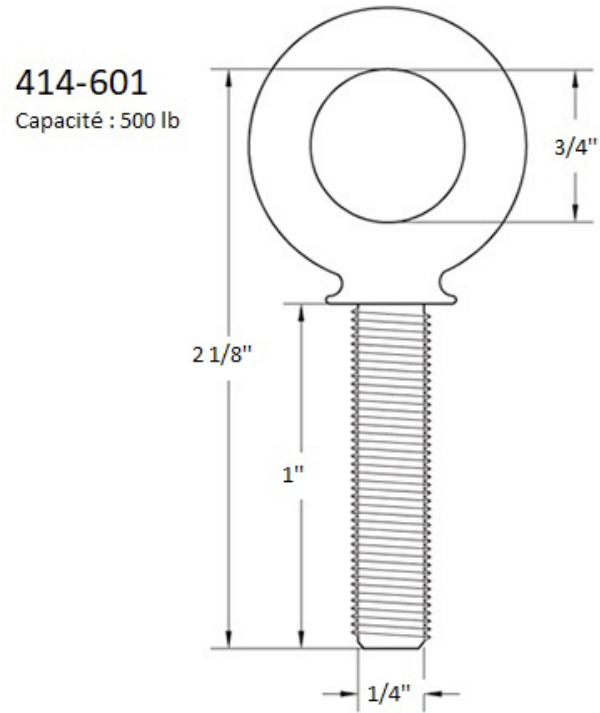


TECHNICAL DRAWING / DESSIN TECHNIQUE



JIMEXS
HARDWARE

1 866 447-5656 / INFO@JIMEXS.COM

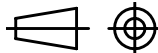
WWW.JIMEXS-HARDWARE.COM

414-601

Boulons à oeil - Type machinerie
Shoulder type machinery eye bolt

2022-02-08

PROJECTIONS



DIMENSIONS

1/4" x 1" - Oeil / Eye 3/4"

MATERIAL / MATÉRIEL

Acier forgé - plaqué zinc /

Drop forged steel - zinc plated

SPECS

ABS : 500 lbs