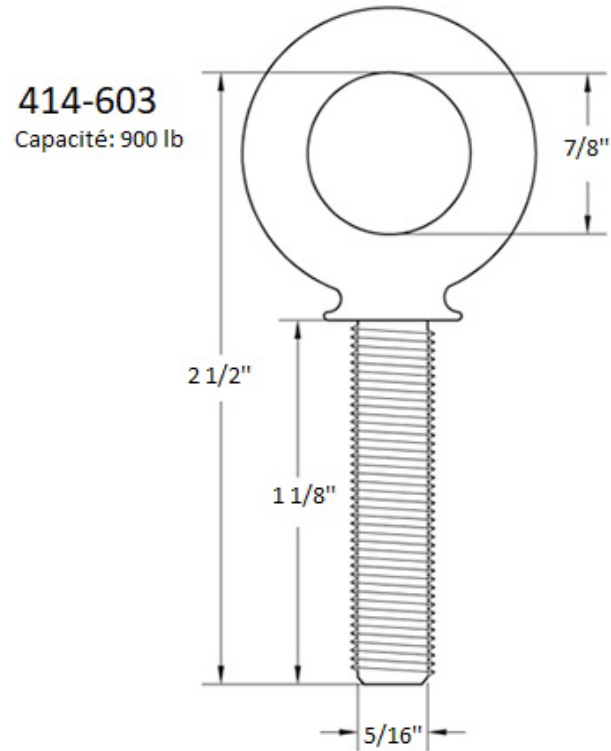


# TECHNICAL DRAWING / DESSIN TECHNIQUE



**JIMEXS**  
**HARDWARE**

1 866 447-5656 / INFO@JIMEXS.COM

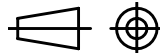
WWW.JIMEXS-HARDWARE.COM

414-603

Boulons à oeil - Type machinerie  
Shoulder type machinery eye bolt

2022-02-08

PROJECTIONS



DIMENSIONS

5/16" x 1-1/8" - Oeil / Eye 7/8"

MATERIAL / MATÉRIEL

Acier forgé - plaqué zinc /

Drop forged steel - zinc plated

SPECS

ABS : 900 lbs