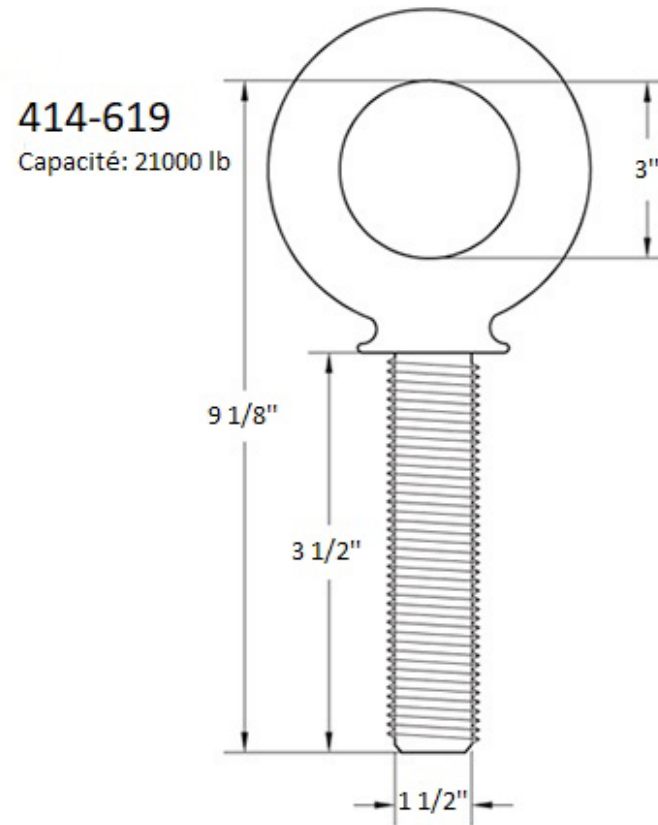


# TECHNICAL DRAWING / DESSIN TECHNIQUE



**JIMEXS**  
**HARDWARE**

1 866 447-5656 / INFO@JIMEXS.COM

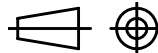
WWW.JIMEXS-HARDWARE.COM

414-619

Boulons à oeil - Type machinerie  
Shoulder type machinery eye bolt

2022-02-08

PROJECTIONS



DIMENSIONS

MATERIAL / MATÉRIEL

SPECS

1-1/2" x 3-1/2" - Eye 3"

Acier forgé - plaqué zinc /

Drop forged steel - zinc plated

ABS : 21000 lbs