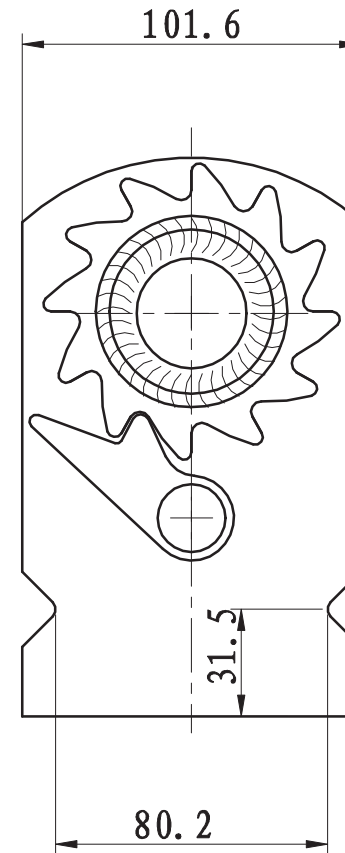
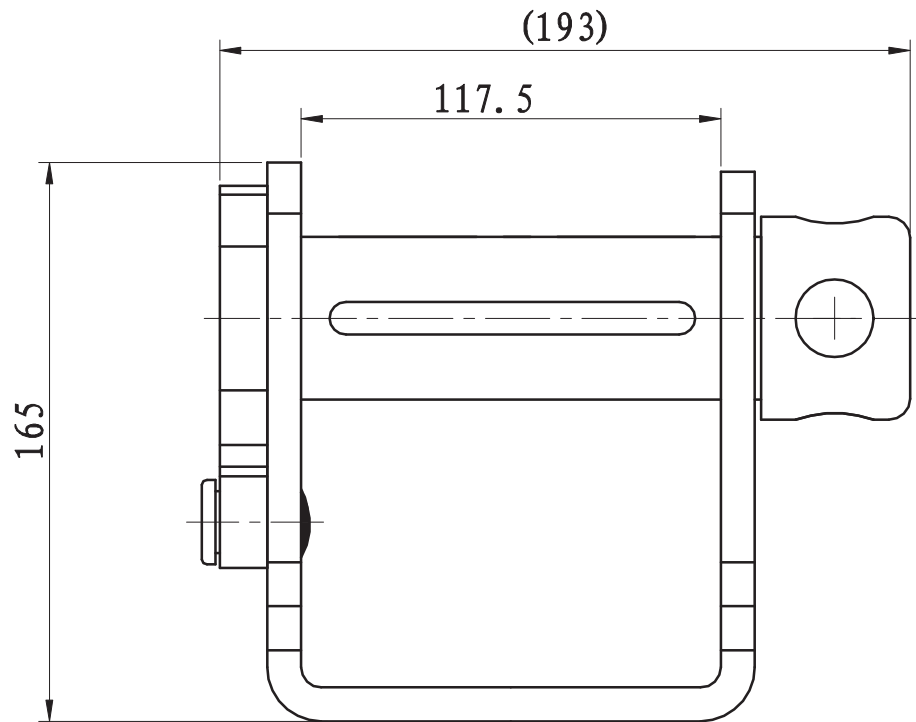


TECHNICAL DRAWING / DESSIN TECHNIQUE



JIMEXS
HARDWARE

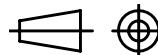
1 866 447-5656 / INFO@JIMEXS.CO M
WWW.JIMEXS-HARDWARE.COM

455-124

Treuil coulissant
Sliding winch

2021-09-16

PROJECTIONS



DIMENSIONS 8,11" x 6,10" x 3,94"
MATERIAL/MATÉRIEL Galvanized steel /
Acier galvanisé