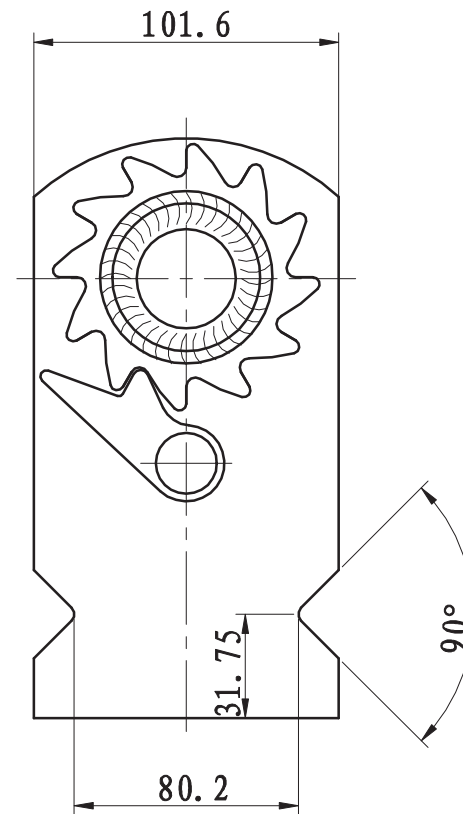
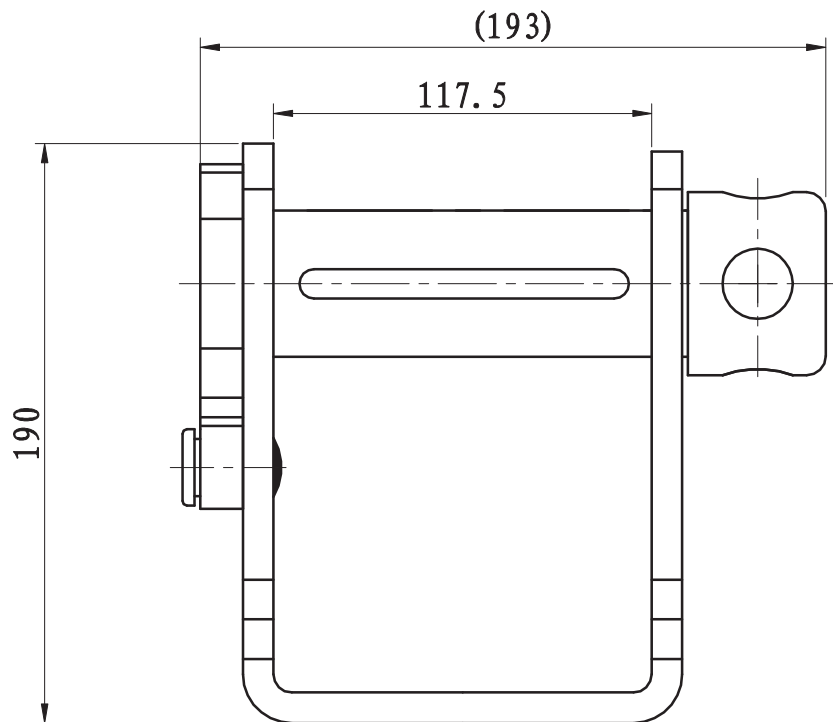


# TECHNICAL DRAWING / DESSIN TECHNIQUE



**JIMEXS**  
**HARDWARE**

1 866 447-5656 / INFO@JIMEXS.CO M  
WWW.JIMEXS -HARDWARE.COM

455-125

Treuil coulissant  
Sliding winch

2021-09-16

PROJECTIONS



DIMENSIONS 8,11" x 7,48" x 3,94"  
MATERIAL/MATÉRIEL Black coat steel /  
Acier peint noir