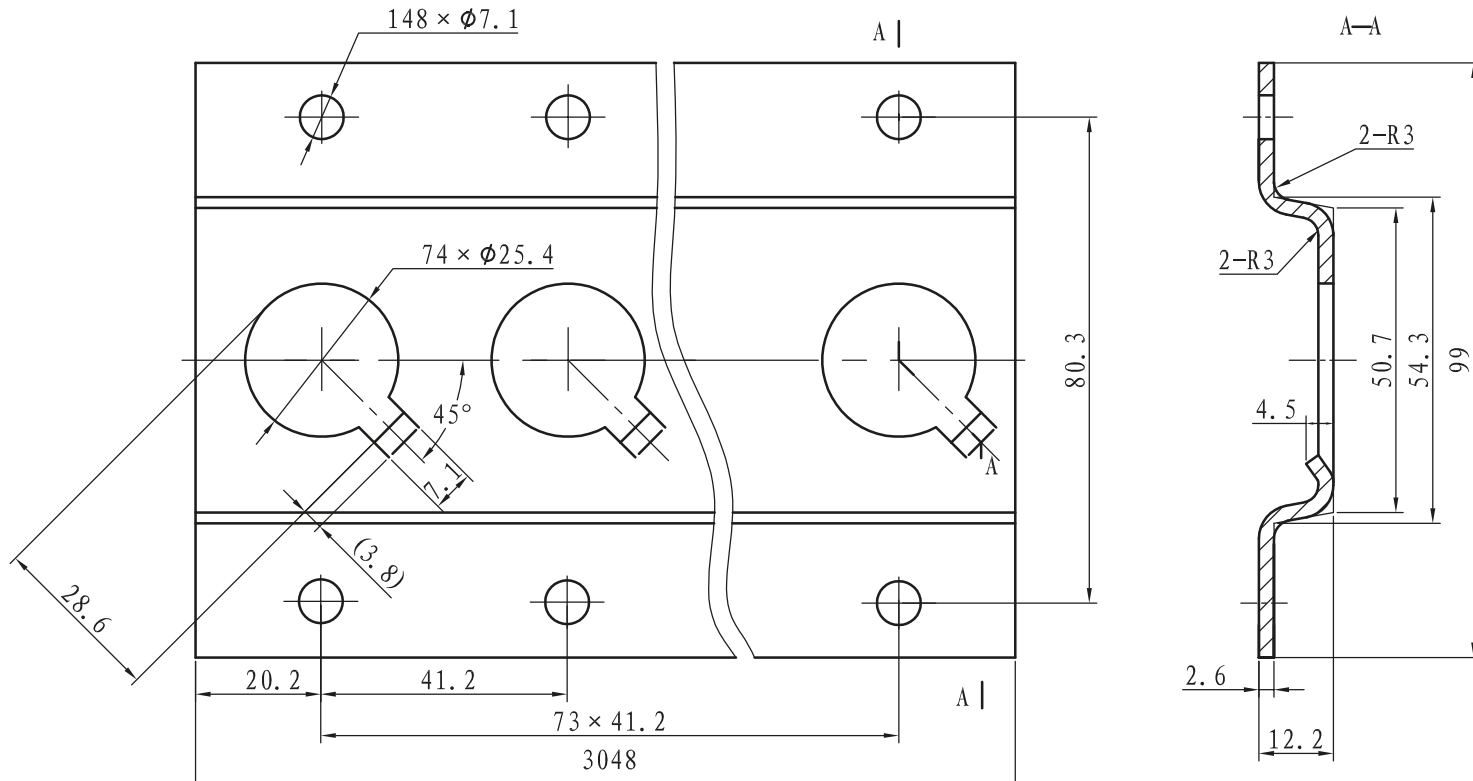


# TECHNICAL DRAWING / DESSIN TECHNIQUE



**JIMEXS**  
**HARDWARE**

1 866 447-5656 / INFO@JIMEXS.COM

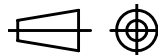
WWW.JIMEXS-HARDWARE.COM

460-201

Rail horizontale Série F Calibre 12  
 Horizontal Track F-Series 12 Gauge

2022-02-08

PROJECTIONS



DIMENSIONS

10', trous encochés / Notched holes 1"

MATERIAL / MATÉRIEL Acier galvanisée / Galvanized steel