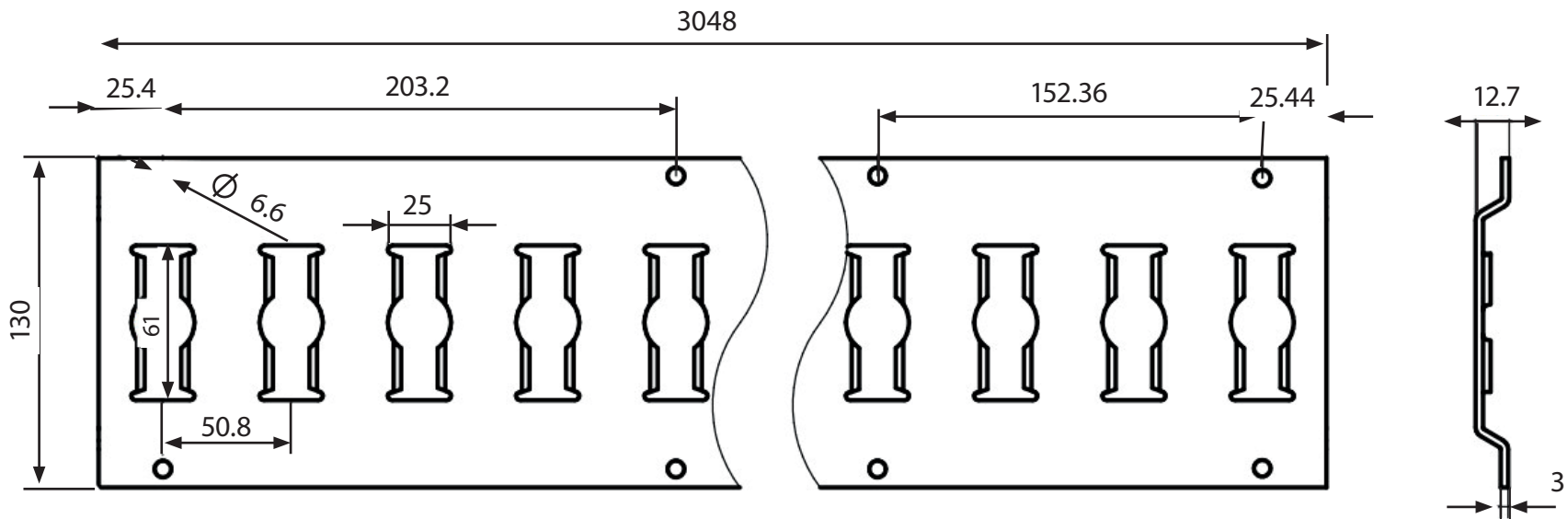


TECHNICAL DRAWING / DESSIN TECHNIQUE



JIMEXS
HARDWARE

1 866 447-5656 / INFO@JIMEXS.COM

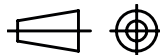
WWW.JIMEXS-HARDWARE.COM

460-903

Horizontal Track
 Rail horizontale

2021-09-22

PROJECTIONS



DIMENSIONS

MATERIAL/MATÉRIEL

10'

Aluminum / Aluminium