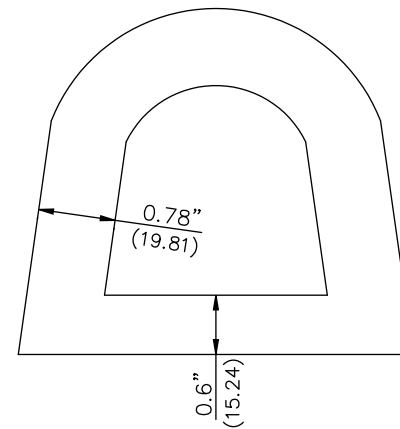
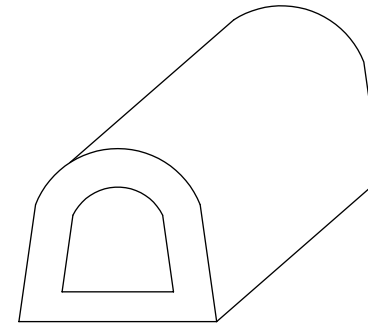
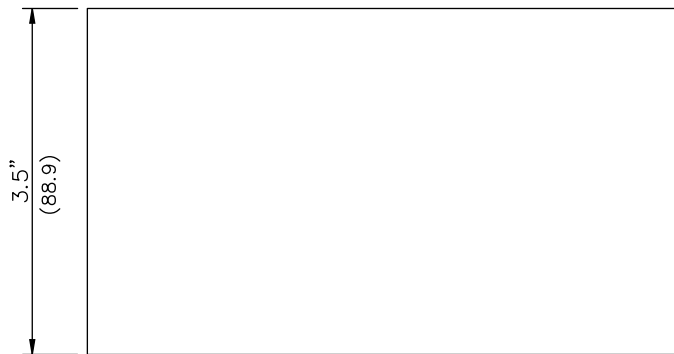
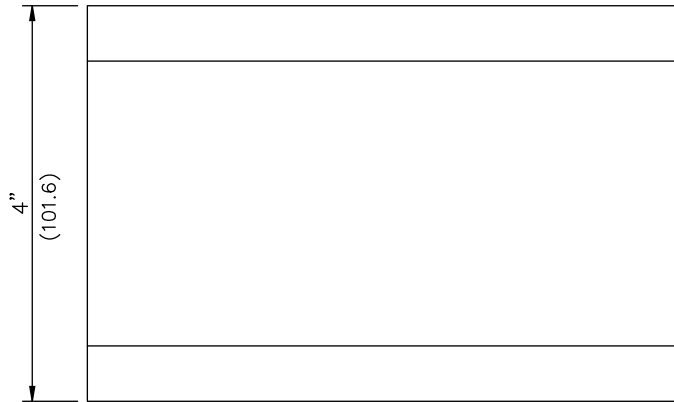


# TECHNICAL DRAWING / DESSIN TECHNIQUE



**JIMEXS**  
**HARDWARE**

1 866 447-5656 / INFO@JIMEXS.COM

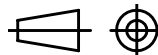
WWW.JIMEXS-HARDWARE.COM

625-106

Extrusion

2022-02-08

PROJECTIONS



DIMENSIONS

6" Lo x 4" La x 3-3/8" H - 2 trous 5/8" x 3 1/8"CC /

6" L x 4" W x 3-3/8" H - 2 holes 5/8" x 3 1/8"CC

MATERIAL / MATÉRIEL Caoutchouc / Rubber