

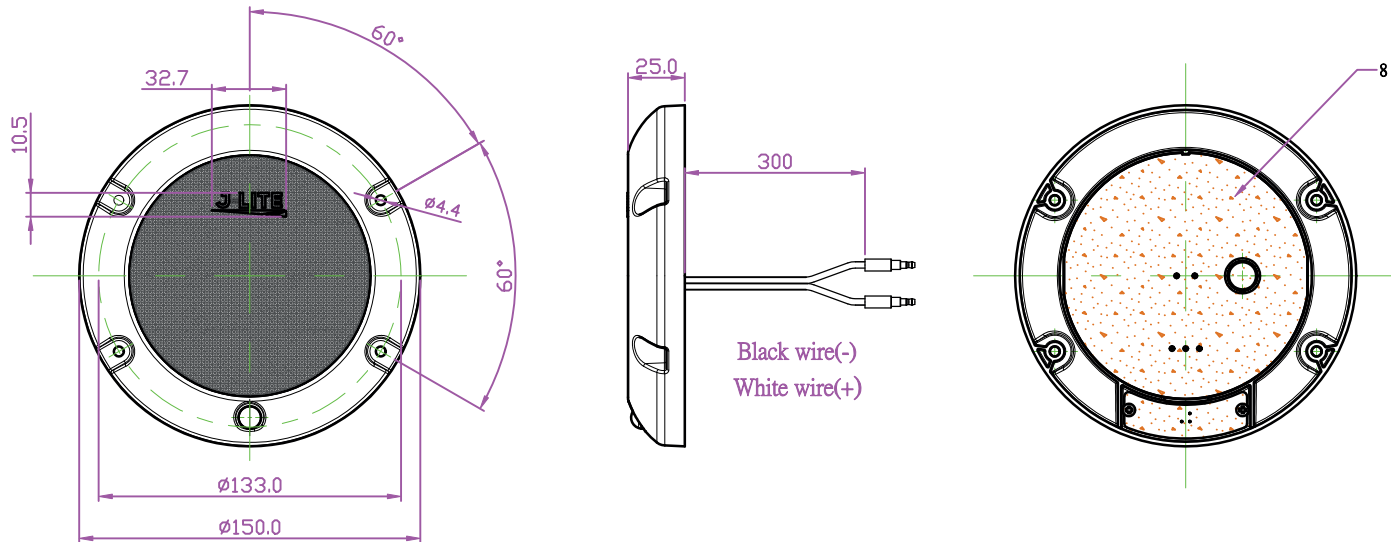
DESSIN TECHNIQUE / TECHNICAL DRAWING

NOTE:

1. DESIGN VOLTAGE: DC14V
VOLTAGE RANGE: DC11~14.5V
2. WIRE: GPT#18 AWG
3. CALCULATION LUMEN: 850LM
4. PER FIRST TIME WHEN POWER IS ON,
PIR WILL TAKE AROUND 10~20 SECONDS
TO GET ACTIVATE AND WHEN NO DETECTION
OF ANY OBJECT WITHIN 2 MINUTES
THE LIGHT WILL BE OFF AND INACTIVE.
AFTER THE FIRST TIME OF INACTIVITY,
FUNCTION TIMING OF PIR IS STILL REMAINED
WITHIN 2 MINUTES AND FOR THE FOLLOWING
ACTIVATION TIME SETTING.



SPECIFICATION			
NO	PART NO	DESCRIPTION	QTY
1	LENS	PC/White/Milky white(with diffusion agent)	1
2	LED BOARD	White 42 PCS SMD LED+PIR BOARD	1
3	GASKET	EPDM/Black	1
4	SCREW	Self-Tapping Screw	2
5	VENT CAP	PC/Clear	1
6	VENT PATCH	Black	1
7	Wire	GPT 18AWG / White/ Black colour	1
8	AB Glue	AB Glue	



J-LITE

700-921
PLAFONNIER
DOME LIGHT

MATÉRIAUX / MATERIALS Plastique / Plastic
COULEURS / COLORS Blanc / White
DIODES 42 diodes
VOLTAGE 14V

1 866 447-5656 / INFO@J-LITE.COM
WWW.J-LITE.COM

2023-11-14

PROJECTIONS