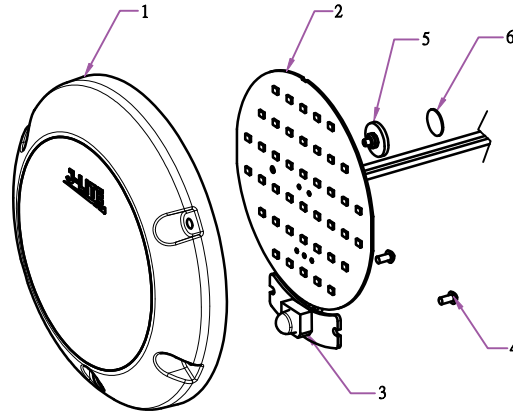


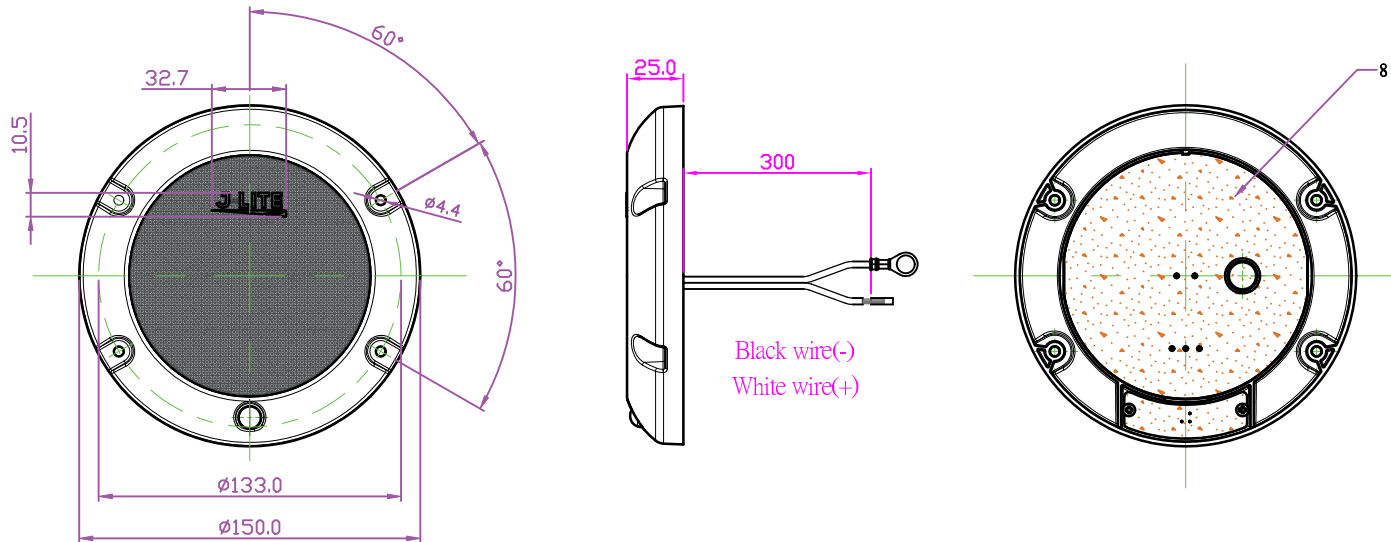
DESSIN TECHNIQUE / TECHNICAL DRAWING

NOTE:

1. DESIGN VOLTAGE: DC14V
VOLTAGE RANGE: DC11~14.5V
2. WIRE: GPT#18 AWG
3. CALCULATION LUMEN: 850LM
4. PER FIRST TIME WHEN POWER IS ON,
PIR WILL TAKE AROUND 10~20 SECONDS
TO GET ACTIVATE AND WHEN NO DETECTION
OF ANY OBJECT WITHIN 5 MINUTES
THE LIGHT WILL BE OFF AND INACTIVE. AFTER
THE FIRST TIME OF INACTIVITY, FUNCTION
TIMING OF PIR IS STILL REMAINED WITHIN 5
MINUTES AND FOR THE FOLLOWING
ACTIVATION TIME SETTING



SPECIFICATION			
NO	PART NO	DESCRIPTION	QTY
1	LENS	PC/White/Milky white(with diffusion agent)	1
2	LED BOARD	White 42 PCS SMD LED+PIR BOARD	1
3	GASKET	EPDM/Black	1
4	SCREW	Self-Tapping Screw	2
5	VENT CAP	PC/Clear	1
6	VENT PATCH	Black	1
7	Wire	GPT 18AWG / White/ Black	1
8	AB Glue	EPOXY	



Black wire(-)
White wire(+)

J-LITE

700-921
PLAFONNIER
DOME LIGHT

MATÉRIAUX / MATERIALS Plastique / Plastic
COULEURS / COLORS Blanc / White
DIODES 42 diodes
VOLTAGE DC11~14.5V

1 866 447-5656 / INFO@J-LITE.COM
WWW.J-LITE.COM

2023-05-02
PROJECTIONS