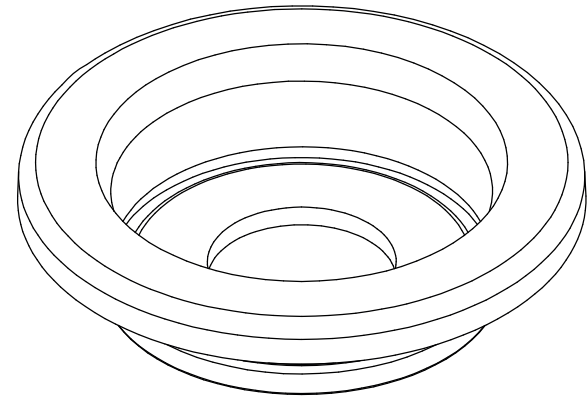
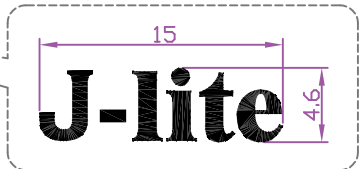
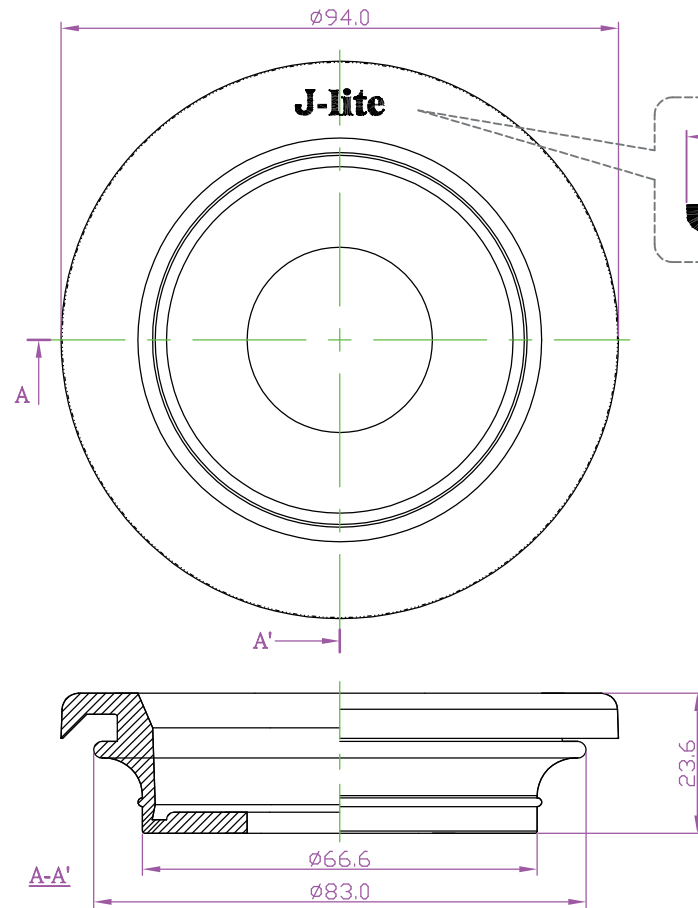


DESSIN TECHNIQUE / TECHNICAL DRAWING



J-LITE

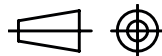
1 866 447-5656 / INFO@J-LITE.COM
WWW.J-LITE.COM

702-178

Grommet
Bague de montage

2022-05-30

PROJECTIONS



DIMENSIONS: 2-1/2"