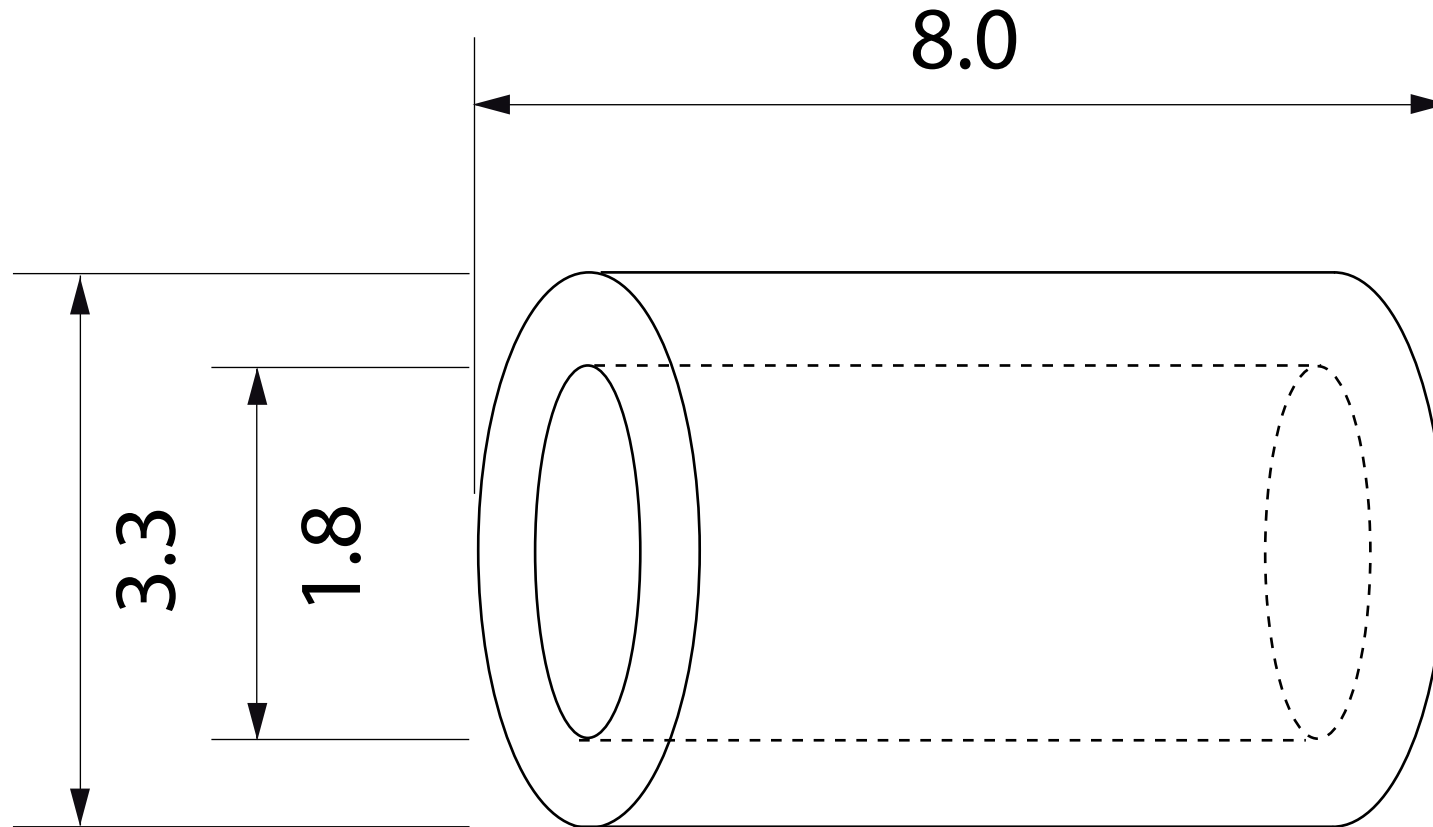


# DESSIN TECHNIQUE / TECHNICAL DRAWING



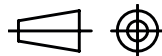
1 866 447-5656 / INFO@J-LITE.COM  
WWW.JJ-LITE.COM

731-101

Butt connector  
Manchon connecteur

2022-02-22

PROJECTIONS



DIMENSIONS

8 mm x 3.3 mm

SPECS

Non-insulated - butted seam / #22-18 / Non-Isolé

MATERIAL

Copper / Cuivre