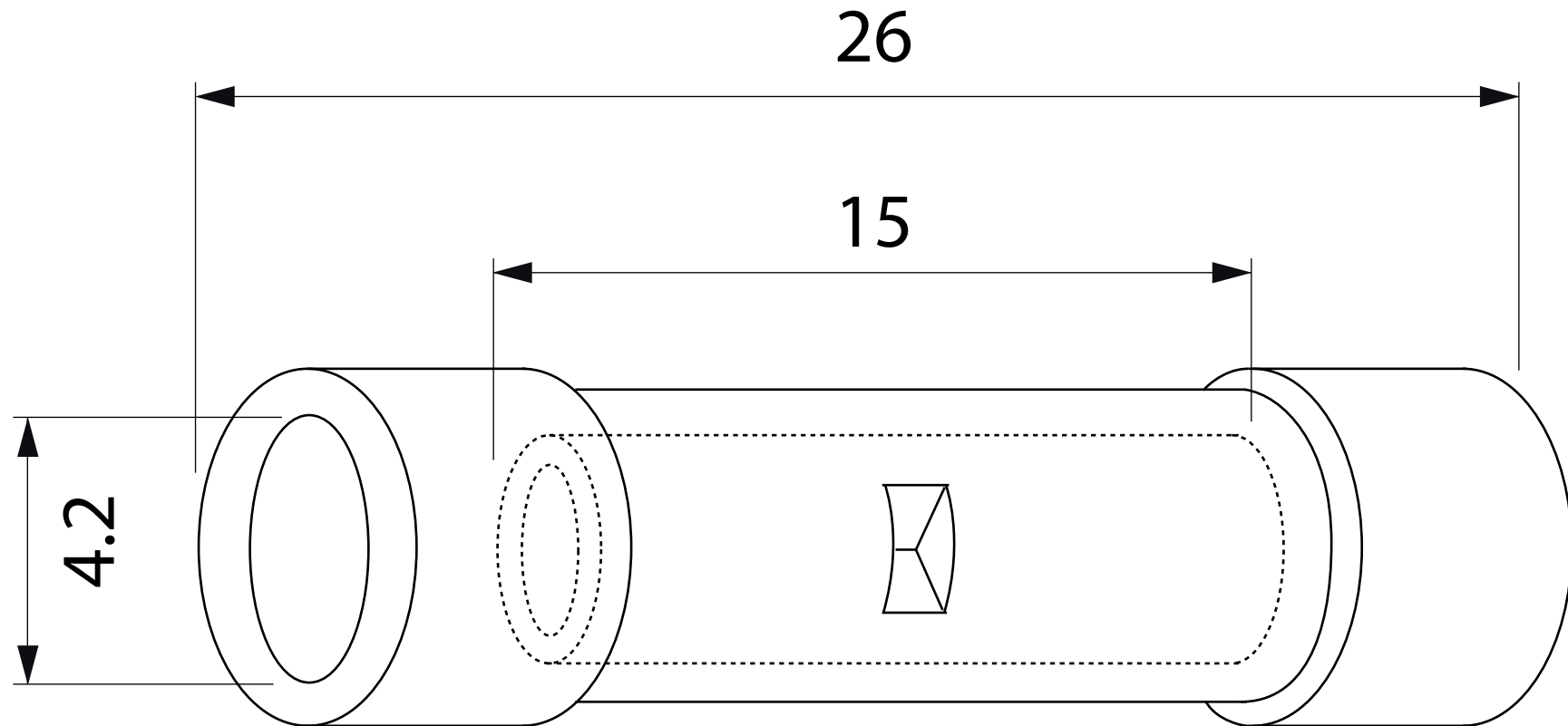


# DESSIN TECHNIQUE / TECHNICAL DRAWING



# J-LITE

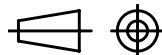
1 866 447-5656 / INFO@J-LITE.COM  
WWW.JJ-LITE.COM

731-221

Butt connector  
Manchon connecteur

2022-02-22

PROJECTIONS



DIMENSIONS 26 mm x 4.2 mm  
SPECS #22-18  
MATERIAL Nylon - Red / Rouge