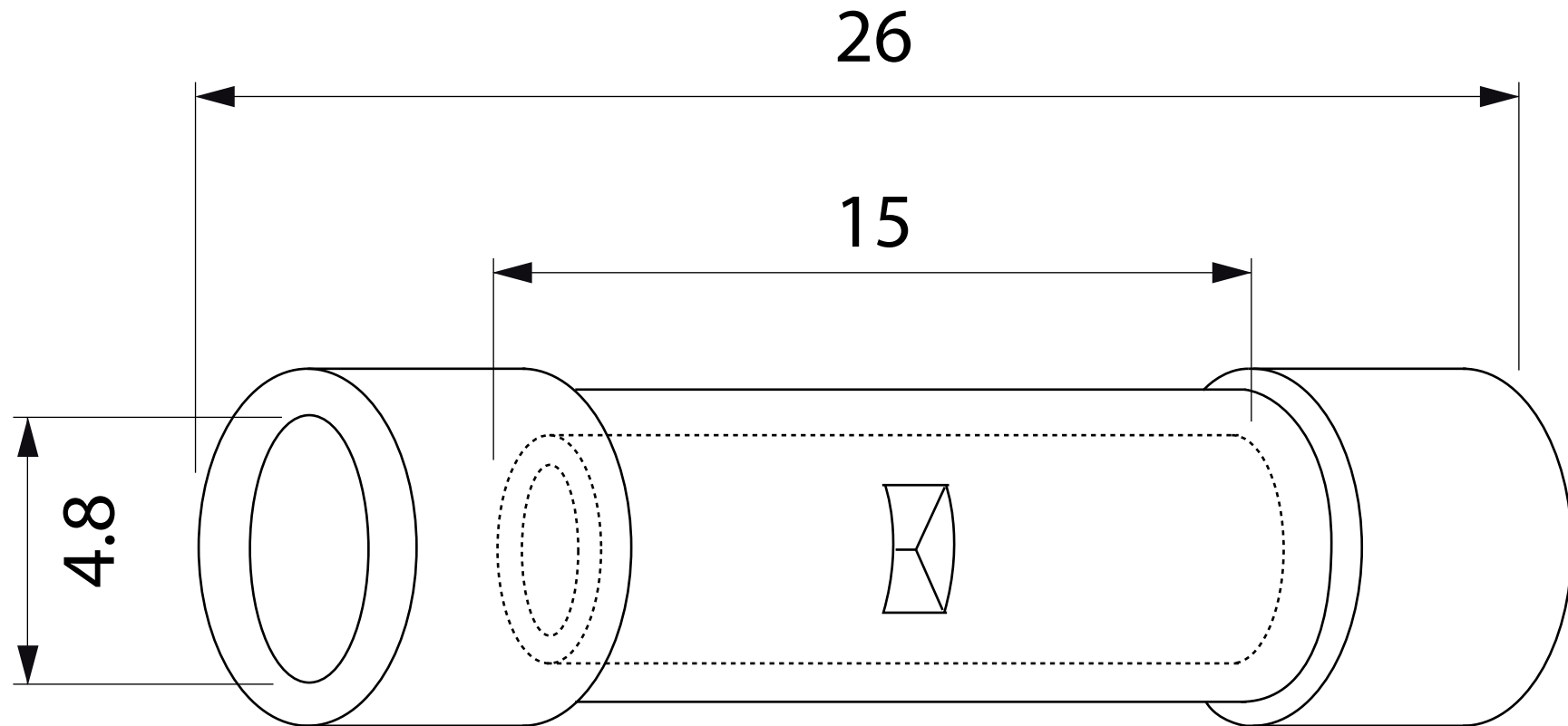


# DESSIN TECHNIQUE / TECHNICAL DRAWING



# J-LITE

1 866 447-5656 / INFO@J-LITE.COM  
WWW.JJ-LITE.COM

731-222

Butt connector  
Manchon connecteur

2022-02-22

PROJECTIONS



DIMENSIONS 26 mm x 4.8 mm  
SPECS #16-14  
MATERIAL Nylon - Blue / Bleu