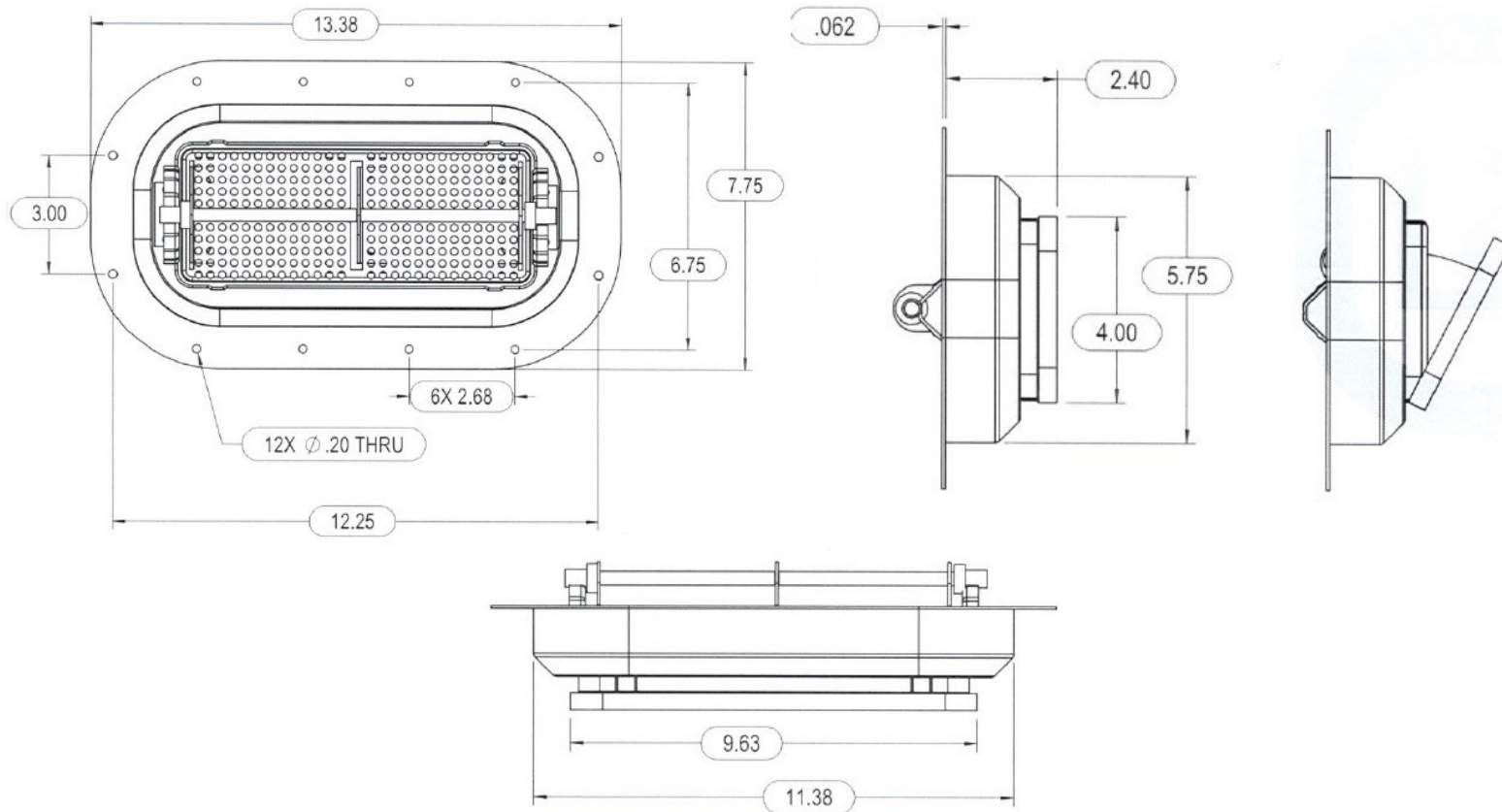


TECHNICAL DRAWING / DESSIN TECHNIQUE



JIMEXS
HARDWARE

1 866 447-5656 / INFO@JIMEXS.COM

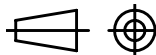
WWW.JIMEXS-HARDWARE.COM

752-101

Air vent with trim
Ventilateur avec bordure

2022-02-23

PROJECTIONS



DIMENSIONS: 13-3/8" x 7-3/4"