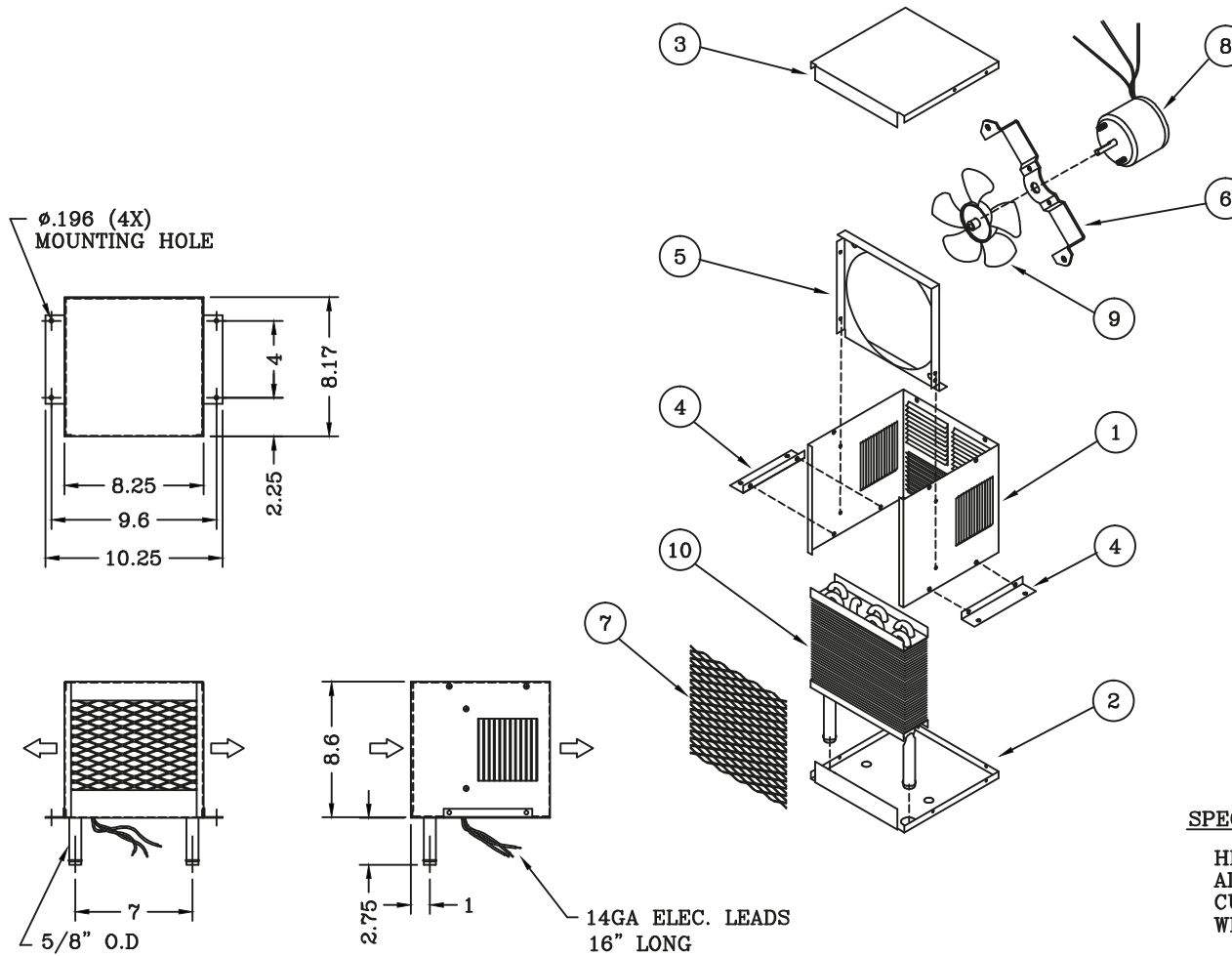


# TECHNICAL DRAWING / DESSIN TECHNIQUE



**SPECIFICATION:**

HEATING	-21000 Btu/h
AIR FLOW	-265 CFM
CURRENT DRAW	-5.8 Amps/12V
WEIGHT	-9lbs.



1 866 447-5656 / INFO@JIMEXS.COM

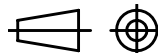
WWW.JIMEXS-HARDWARE.COM

805-462

Heater 12V - 5.8 Amp  
 Chaufferette 12V - 5.8 Amp

2022-03-01

PROJECTIONS



DIMENSIONS  
 SPECS

8,25"Lo x 8,16"La x 8,60"H  
 21,000 BTU - 265 CFM  
 Bottom connection / Tuyau en dessous