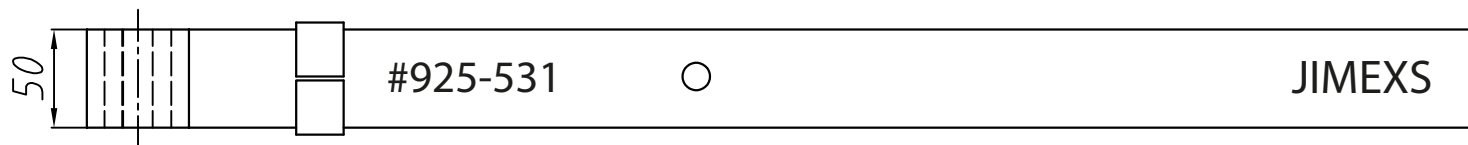
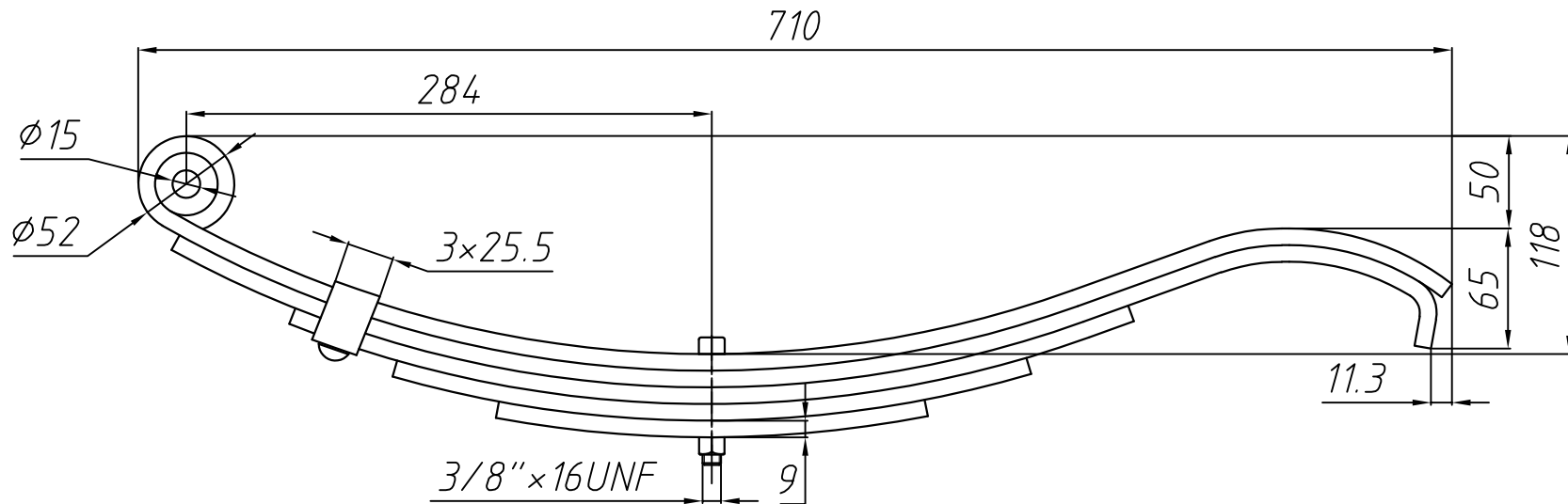


TECHNICAL DRAWING / DESSIN TECHNIQUE



JIMEXS
HARDWARE

1 866 447-5656 / INFO@JIMEXS.COM

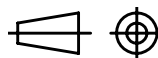
WWW.JIMEXS-HARDWARE.COM

925-531

Slipper spring with hook end
 Ressort type "Slipper" avec
 embout crochet

2022-05-03

PROJECTIONS



DIMENSIONS
 SPECS

26" x 2"
 5 leaves / 5 lames - 7000 lbs