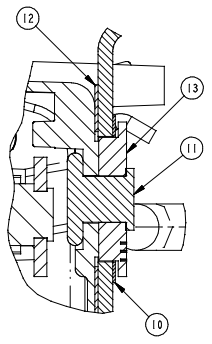
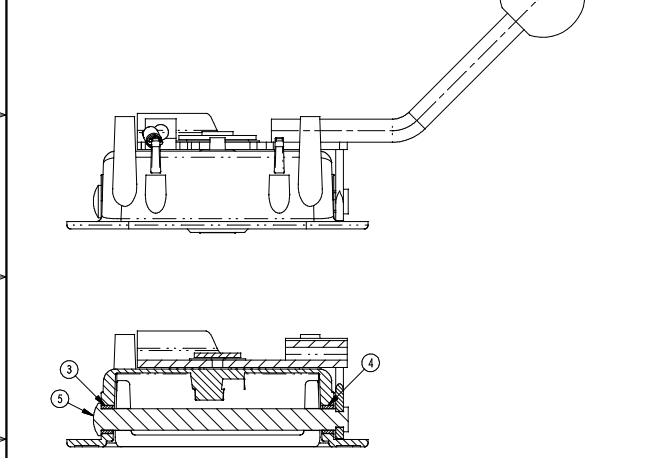
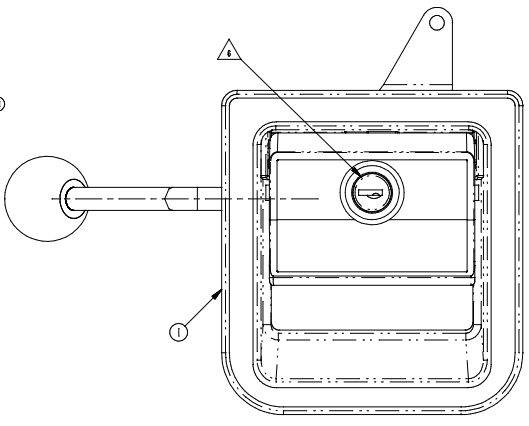
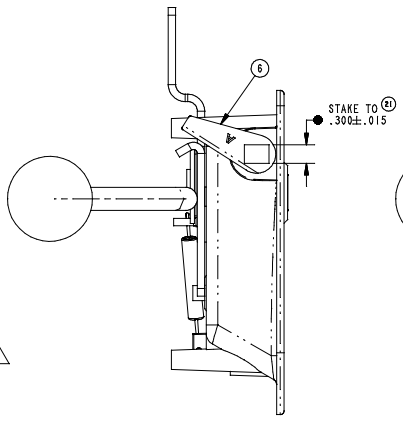
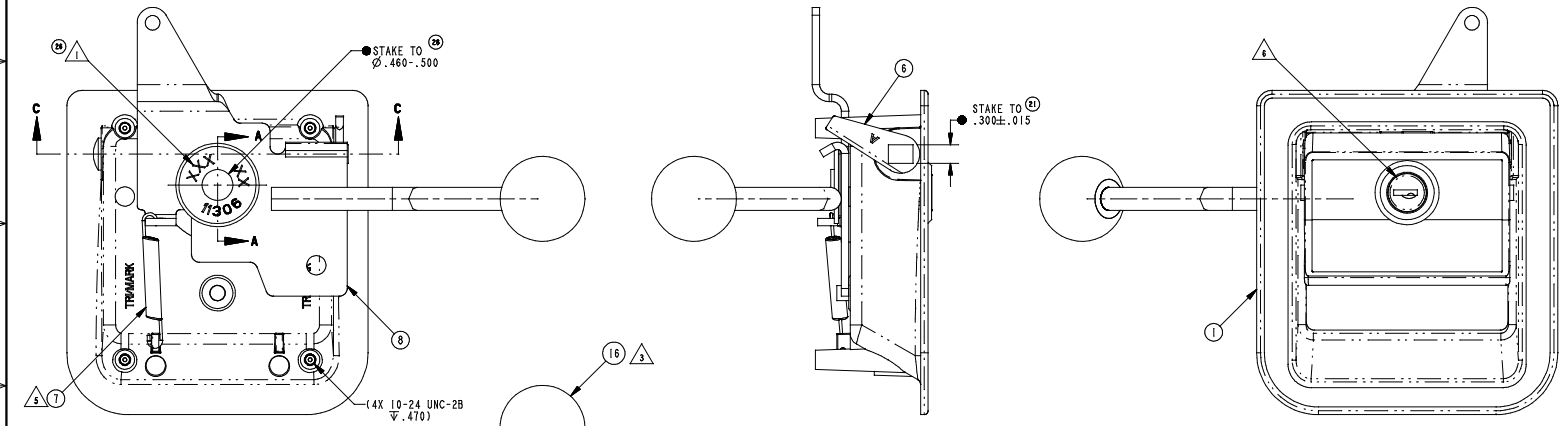
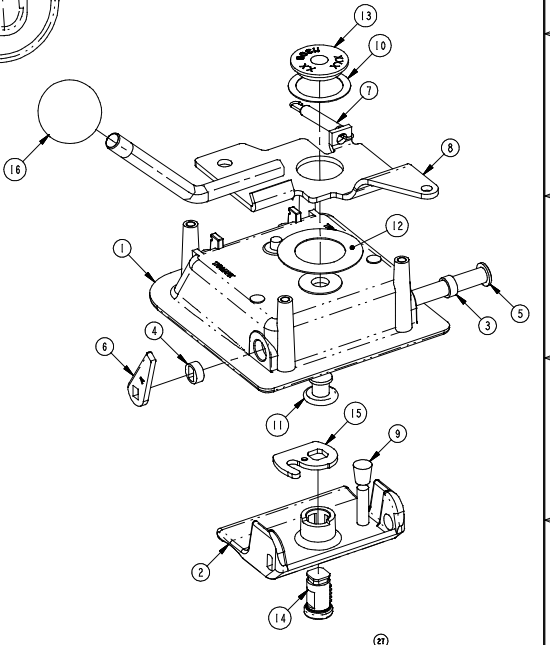


PART NUMBER	ITEM 1 HOUSING (QTY)	ITEM 2 PADDLE (QTY)	ITEM 3 BUSHING (QTY)	ITEM 4 BUSHING (QTY)	ITEM 5 AXLE (QTY)	ITEM 6 ARM (QTY)	ITEM 7 SPRING (QTY)	ITEM 8 PLY ASSY (QTY)	ITEM 9 BUMPER (QTY)	ITEM 10 WASHER (QTY)	ITEM 11 RIVET (QTY)	ITEM 12 WASHER (QTY)	ITEM 13 PIVOT (QTY)	ITEM 14 LKCYL. LK PANL. (QTY)	ITEM 15 LK PANL. (QTY)	ITEM 16 KNOB (QTY)	FINISH	KEYS SUPPLIED Y/N (QTY)	NOTES
11306-01	13026-06 (1)	12572-12 (1)	80797-00 (1)	80796-00 (1)	10989-16 (1)	80452-15 (1)	80528-57 (1)	11304-04 (1)	81586-00 (1)	81243-00 (1)	81541-15 (1)	81245-00 (1)	81543-16 (1)	80793-09 (1)	12305-16 (1)	80657-00 (1)	PAINT, BLACK, MEDIUM GLOSS	YES (2)	SPECIAL PACKAGING
11306-12																			N/A

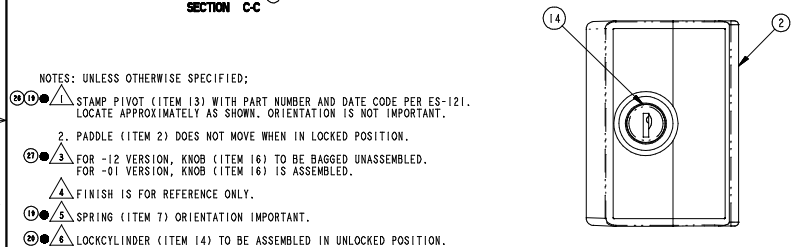
REV	NO	BY	DATE	DESCRIPTION
22	13456420-.430 WAS .435-.455
23	14382	DELETED SECTION B-B
24	15606	UPDATED DISPLAY
25	19584	UPDATED DISPLAY (ITEM 1) REVISED & RELOCATED BOW REVISED & RELOCATED FINISH DELETED NON-REQUIRED DIMS RESTORED STD. TOLERANCES
26	19171	MOVED DATE CODE FROM PIVOT PLATE TO THE PIVOT. REVISED BOW. ADDED PART WEIGHT.
27	07921	ADDED -01 VERSION, EXPLODED VIEW NOTES COLUMN, ASSEMBLY DOTS, REVISED SECTIONS A-A & C-C AND NOTE 3.
28	08581	UPDATED DRAWING FORMAT. STAKE TO Ø.460-.500 WAS STAKE TO Ø.460-.250.



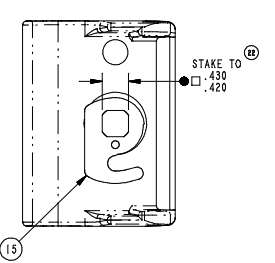
SECTION A-A
SCALE 2.000



EXPLODED VIEW
SCALE 0.750



PADDLE ASSEMBLY DETAIL



- NOTES: UNLESS OTHERWISE SPECIFIED;
- ① STAMP PIVOT (ITEM 13) WITH PART NUMBER AND DATE CODE PER ES-121. LOCATE APPROXIMATELY AS SHOWN. ORIENTATION IS NOT IMPORTANT.
 - ② PADDLE (ITEM 2) DOES NOT MOVE WHEN IN LOCKED POSITION.
 - ③ FOR -12 VERSION, KNOB (ITEM 16) TO BE BAGGED UNASSEMBLED. FOR -01 VERSION, KNOB (ITEM 16) IS ASSEMBLED.
 - ④ FINISH IS FOR REFERENCE ONLY.
 - ⑤ SPRING (ITEM 7) ORIENTATION IMPORTANT.
 - ⑥ LOCKCYLINDER (ITEM 14) TO BE ASSEMBLED IN UNLOCKED POSITION. SHIP ASSEMBLY WITH LOCKCYLINDER IN UNLOCKED POSITION AS SHOWN.

<p>① INDICATES REQUIRED ASSEMBLY INFORMATION.</p> <p>US: THE -00 VERSION SHALL BE THE UNFINISHED VERSION OF PART SHOWN.</p>		<p>TriMark</p> <p>500 Highway Avenue P. O. Box 309 New Hampton, Iowa 50659 U.S.A. Tel: 41-384-5100 Fax: 41-384-5392</p>
<p>UNLESS OTHERWISE SPECIFIED, ALL DIMENSIONS ARE IN INCHES.</p> <p>DATE: 11/14/01</p> <p>WORK: MILLINGTON</p> <p>X.Y. NO.: 1</p> <p>X.Y. REV.: 018</p> <p>DATE: 11/14/01</p>	<p>DESIGNED BY: TMG 4/18/89</p> <p>CHECKED BY: KPE 4/19/89</p> <p>PROJ. NO.: L86002-7</p> <p>PROJ. CODE: C06 (030-0250)</p>	
<p>② TO NET SCALE DRAWING</p>	<p>DATE: 11/14/01</p> <p>SCALE: 1.0</p> <p>PART NAME: ASSY, HSG/PDL, 4, 3, RH, CH751</p>	<p>This drawing and the information contained herein is the property of TriMark Corporation and shall not be used for any purpose without our written consent.</p>
<p>③ SURFACE FINISH</p>	<p>PART WEIGHT: (2.2 LB)</p>	<p>④ PART NUMBER: 11306-XX</p>