

070-0100 .500 (12.7mm) Diameter Striker Bolt



DESIGNED FOR:

- Use with TriMark's single rotor latches and cage nuts that require a .500 (12.7mm) diameter striker bolt

USE WITH:

- Please refer to our website for related products that are compatible for use with this product

INSTALLATION:

- Torque to 35 ft-lbs minimum depending upon surface conditions

FINISH:

- Zinc plated with clear chromate

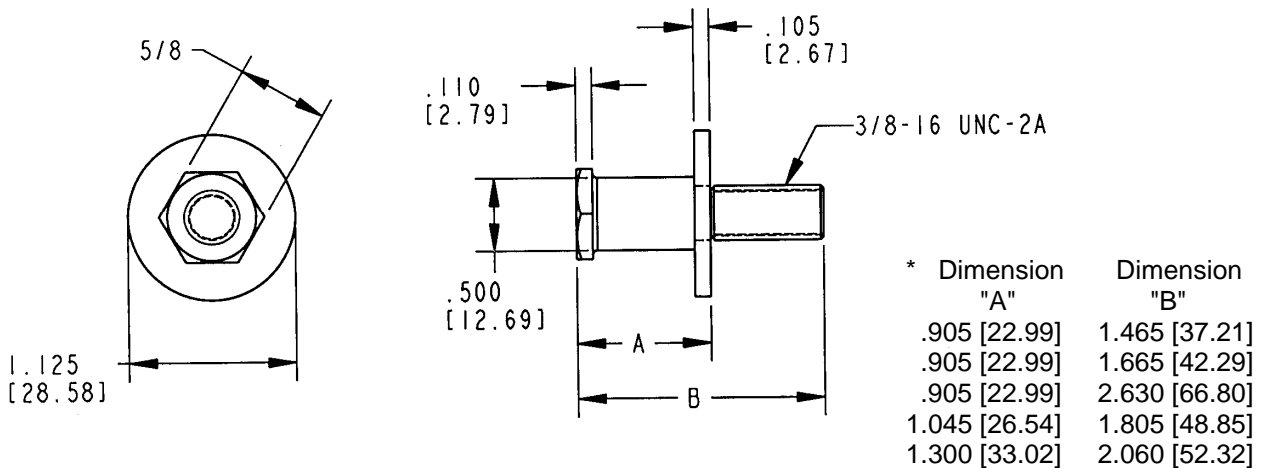
MATERIAL:

- Typical materials include AISI 4140 and AISI C10B21 steel (or equivalent), heat treated to TriMark

LATCH & STRIKER INSTALLATION:

- Install striker bolt in door frame
- Close door carefully and check for interference between head of striker bolt and latch components
- Add or remove shims under striker bolt washer as required (outside diameter of shim should be larger than outside diameter of striker bolt washer)
- Adjust striker bolt vertically so door is not guided upward or downward while being closed
- CHECK TO DETERMINE THAT BOTH SECONDARY AND PRIMARY LATCHING POSITIONS ARE USABLE
- Door should be latched but not "closed" in secondary position and latched to anticipated "closed" position with respect to adjacent surfaces in primary position
- If both primary and secondary positions are not evident, readjust striker bolt
- After installation, check door alignment and door seal pressures

TriMark striker bolts are designed and tested to meet or exceed FMVSS 206 safety requirements only when used with TriMark's corresponding 206 compliant latches.



* WASHER DEFLECTED TO INSTALLED DIMENSION



500 Bailey Avenue
P.O. Box 350
New Hampton, Iowa 50659
United States
Tel: 641-394-3188
Fax: 641-394-2392
1-800-447-0343
www.trimarkcorp.com



TriMark Europe, Ltd.
Cedar Court
Walker Road
Bardon Hill
Coalville LE67 1TU
United Kingdom
Tel: +44 (0)1530 512460
Fax: +44 (0)1530 512461
www.trimarkeu.com

