

# HANDLE PEARES

Recessed handle for tube 16 MM

## TECHNICAL DATA SHEET

- Available in: Stainless steel AISI 304 grade OR zinc plated mild steel DD13.
- Available with pan of 29 mm or 25 mm depth.
- "PUSH" release mechanism.
- Poliamide 6.6 injected grip handle.
- Maximum opening 105°
- Suitable for seal.
- Keybarrel protected by key cover.
- Metallic locking barrel cam.
- Handle spring with tested resistance up to 100.000 cycles opening/closure.
- Double rolling allowing great resistance.
- Suitable for internal opening release.
- EPDM gasket optional.

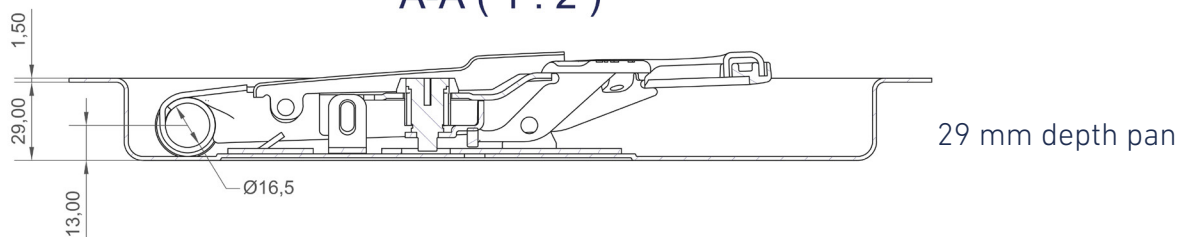


	STAINLESS STEEL AISI 304	MILD STEEL ZINC PLATED	WEIGHT
RECESSED 29MM DEPTH PEARES LOCK FOR DIAM 16MM	202080253	202080153	1690 gr.
RECESSED 25MM DEPTH PEARES LOCKF FOR DIAM 16MM	202400253	202400153	1650 gr.

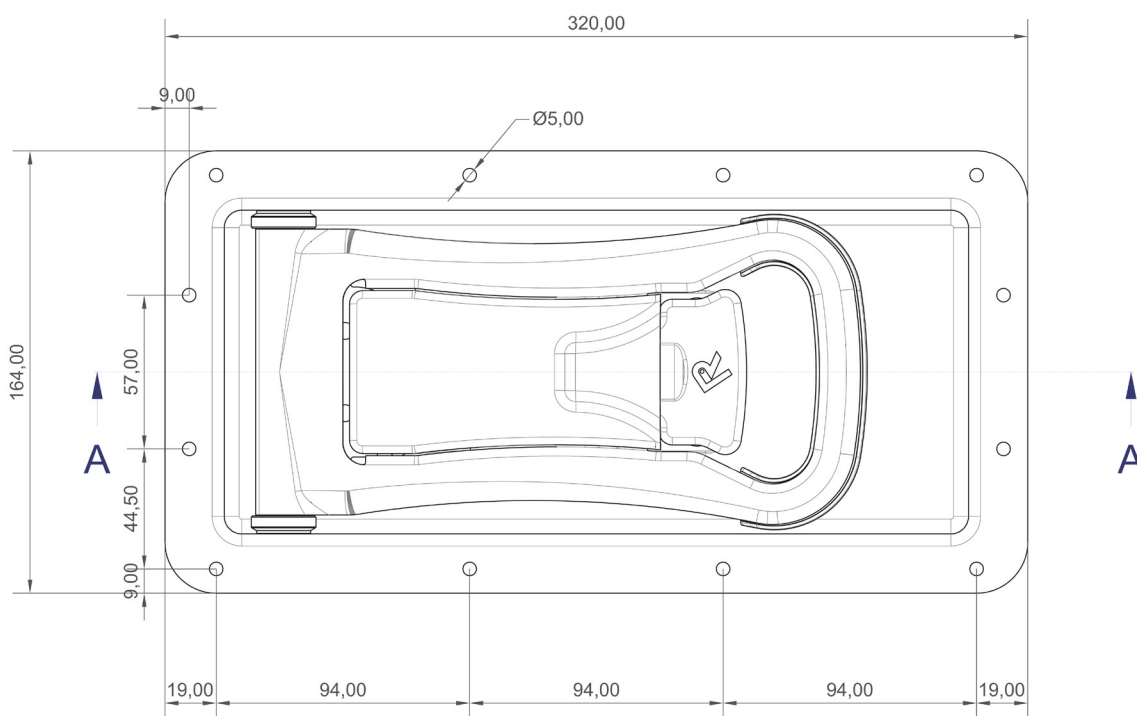
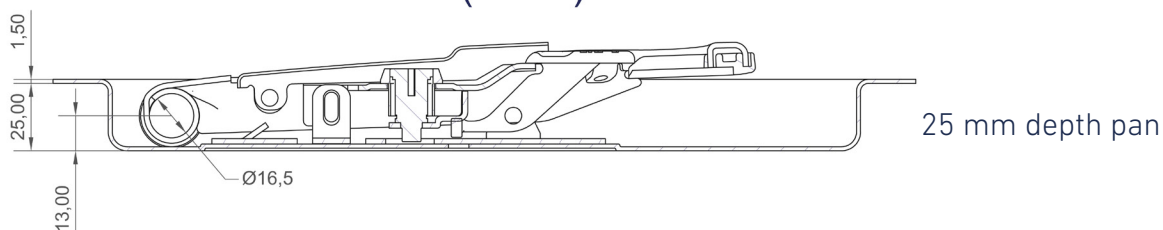
# HANDLE PEARES

Recessed handle for tube 16 MM

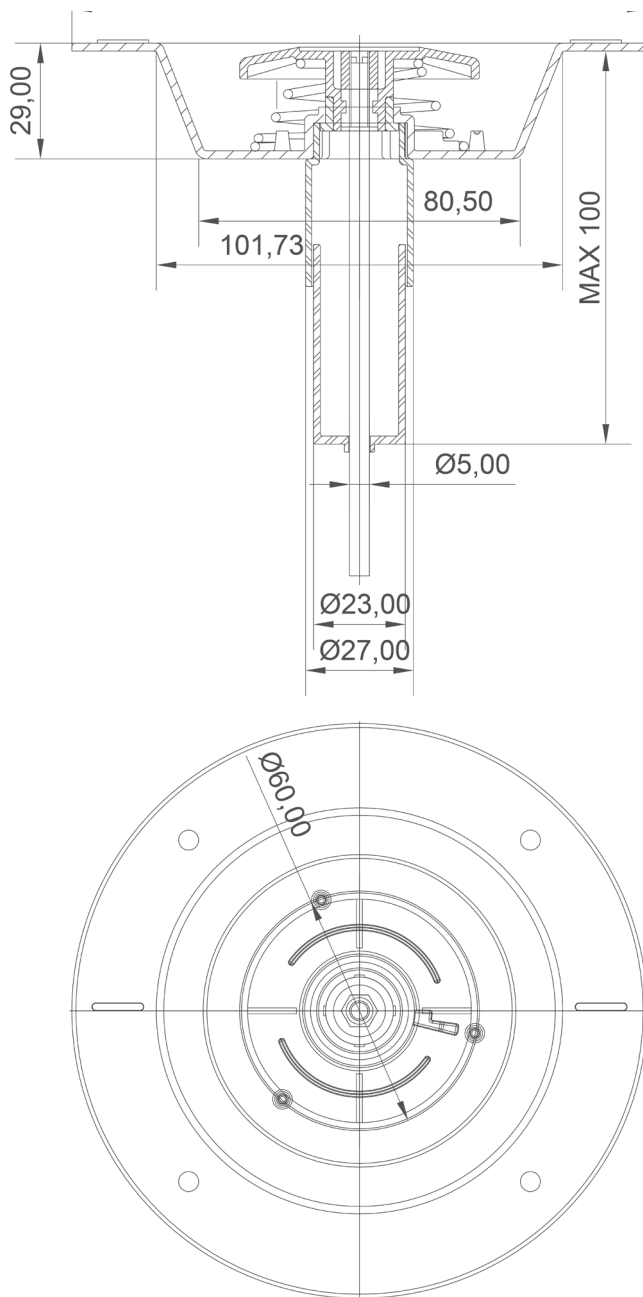
A-A (1:2)



A-A (1:2)

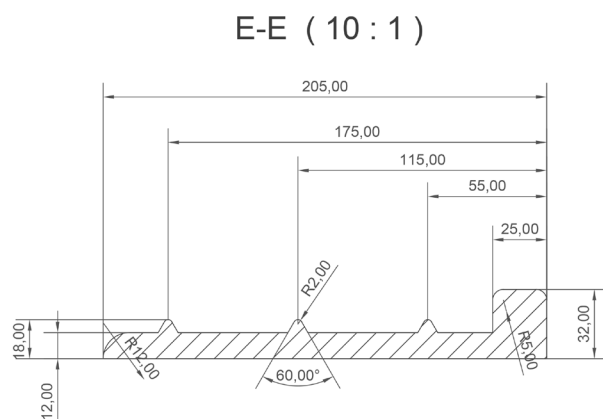
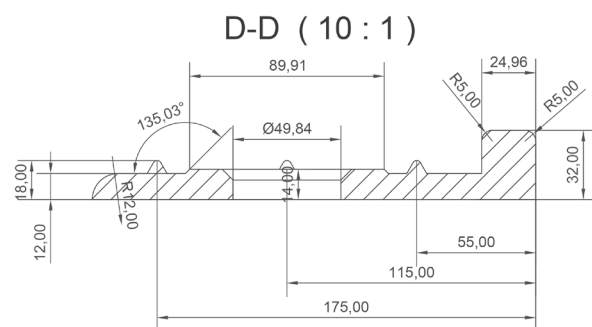
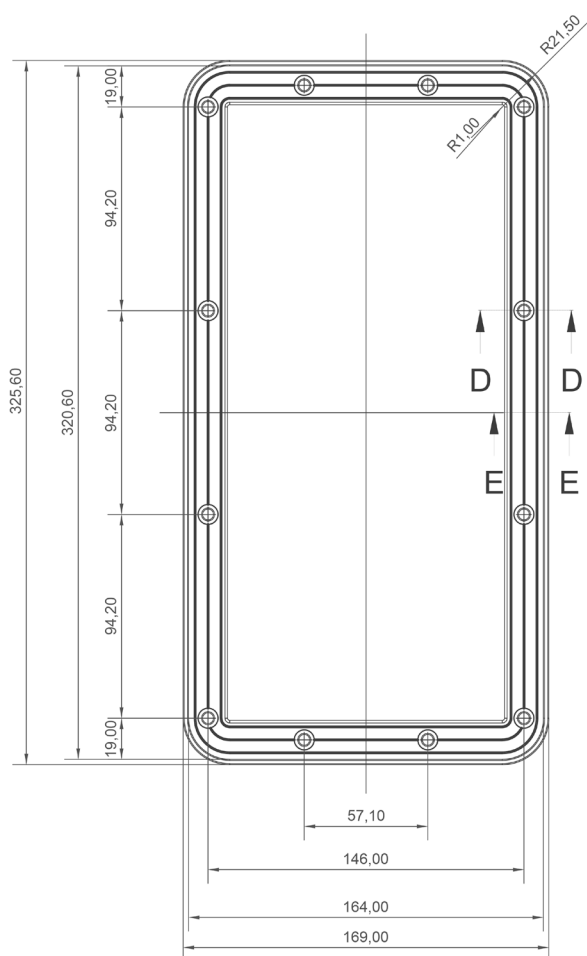


# INTERNAL OPENING RELEASE



	CODE
INTERNAL OPENING RELEASE	202740680

# GASKET



	CODE
GASKET	301010698